

Rusyn\_2021\_J.\_Phys.\_Conf.\_Ser  
.\_1764\_012205.pdf  
*by*

---

**Submission date:** 02-Nov-2021 12:56AM (UTC-0400)

**Submission ID:** 1690764295

**File name:** Rusyn\_2021\_J.\_Phys.\_Conf.\_Ser.\_1764\_012205.pdf (924.28K)

**Word count:** 1663

**Character count:** 9243

PAPER • OPEN ACCESS

## Computer Modelling of the Information Properties of Hyper Chaotic Lorenz System and Its Application in Secure Communication System

To cite this article: Volodymyr Rusyn *et al* 2021 *J. Phys.: Conf. Ser.* **1764** 012205

View the [article online](#) for updates and enhancements.

You may also like

- [Application of hyper-chaotic Lorenz system for data transmission](#)  
A V Kondrashov, M S Grebnev, A B Ustinov *et al.*

- [Formal and analytic integrability of the Lorenz system](#)  
Jaume Llibre and Clàudia Valls

- [Topological classification of periodic orbits in Lorenz system](#)  
Chengwei Dong and



The Electrochemical Society  
Advancing solid state & electrochemical science & technology

### 241st ECS Meeting

May 29 – June 2, 2022 Vancouver • BC • Canada  
Abstract submission deadline: Dec 3, 2021

Connect. Engage. Champion. Empower. Accelerate.  
We move science forward



Submit your abstract



## Computer Modelling of the Information Properties of Hyper Chaotic Lorenz System and Its Application in Secure Communication System

Volodymyr Rusyn<sup>1</sup>, Mujiarto<sup>2\*</sup>, Mustafa Mamat<sup>3</sup>, Firmansyah Azharul<sup>4</sup> and W. S. Mada Sanjaya<sup>5</sup>, Aceng Sambas<sup>2</sup>, Estiyan Dwipriyoko<sup>6</sup> and Akhmad Sutoni<sup>7</sup>

<sup>1</sup>Yuriy Fedkovych Chernivtsi National University, Kotsybinsky str., 2, Chernivtsi, 58012, Ukraine.

<sup>2</sup>Department of Mechanical Engineering, Universitas Muhammadiyah Tasikmalaya, Indonesia

<sup>3</sup>Faculty of Informatics and Computing, Universiti Sultan Zainal Abidin, Kuala Terengganu, Malaysia

<sup>4</sup>Department of Mechanical Engineering, Sekolah Tinggi Teknologi Cileungsi, Indonesia

<sup>5</sup>Department of Physics, Universitas Islam Negeri Sunan Gunung Djati, Bandung, Indonesia

<sup>6</sup>Informatics Study Program, Universitas Langlangbuana, Bandung, Indonesia

<sup>7</sup>Department of Industrial Engineering, Universitas Suryakencana, Cianjur, Indonesia

\*[mujiarto@umtas.ac.id](mailto:mujiarto@umtas.ac.id)

**Abstract.** This paper presents computer modeling, analysis and research of the hyper-chaotic Lorenz system based on programming interface that has been developed in LabView software environment. This study allows for generating and research of the main information properties of hyper-chaotic Lorenz system, focusing on time distribution of the four chaotic coordinates, phase portraits and Lyapunov exponents. The programming interface demonstrates the algorithm of masking and decrypt of the information carrier.

Keywords: Nonlinear, hyper-chaotic, Lorenz, LabView

### 1. Introduction

The generation and application of chaotic attractors have been studied with increasing interest and have become a central topic in research due to its great potential in chaos communication technology [1]-[5]. Chaos theory has been established since the 1970's due to its applications in many different research areas, such as electronic circuits [6]-[7], secure communication systems [8]-[9], robotics [10]-[11], optics [12]-[13], economy [14]-[15], biology [16]-[17], etc.

In order to obtain hyper-chaos, two important requisites are as follows:



Content from this work may be used under the terms of the [Creative Commons Attribution 3.0 licence](https://creativecommons.org/licenses/by/3.0/). Any further distribution of this work must maintain attribution to the author(s) and the title of the work, journal citation and DOI.

- The minimal dimension of the phase space that embeds a hyper-chaotic attractor should be at least four, which requires the minimum number of coupled first-order autonomous ordinary differential equations to be four.
- The number of terms in the coupled equations giving rise to instability should be at least two, of which at least one should have a nonlinear function.

A great interest is the simulation that using different software environments allows to demonstration different information properties of chaotic oscillations. For modelling of information properties of the hyper-chaotic Lorenz system and demonstrate results was selected software LabView (LabView-2015 (32-bit version for Windows)).

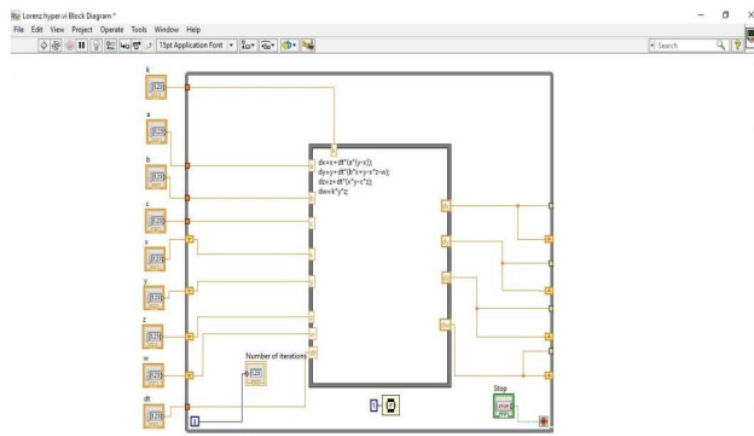
**2. Modelling of a hyper-chaotic Lorenz system**

Hyper-chaotic Lorenz system is described by equations:

$$\begin{cases} \dot{x} = a(y - x), \\ \dot{y} = bx + y - xz - w, \\ \dot{z} = xy - cz, \\ \dot{w} = kyz, \end{cases} \quad (1)$$

where  $a, b, c$  – system parameters,  $x, y, z$  – initial conditions,  $k$  – constant that determines the attractor, which in some senses can be chaotic, and in particular – controlled.

Fig. 1 shows the block scheme that implements of hyper-chaotic Lorenz system. The main functional part is a formula node, in which would include the equation (1). In the input formula node fed values of system parameters ( $a, b, c$ ) and the value of the initial conditions ( $x, y, z$ ). At the output assigned equations (1). Also, the output is an opportunity to demonstrate the solution of equations in three dimensions.

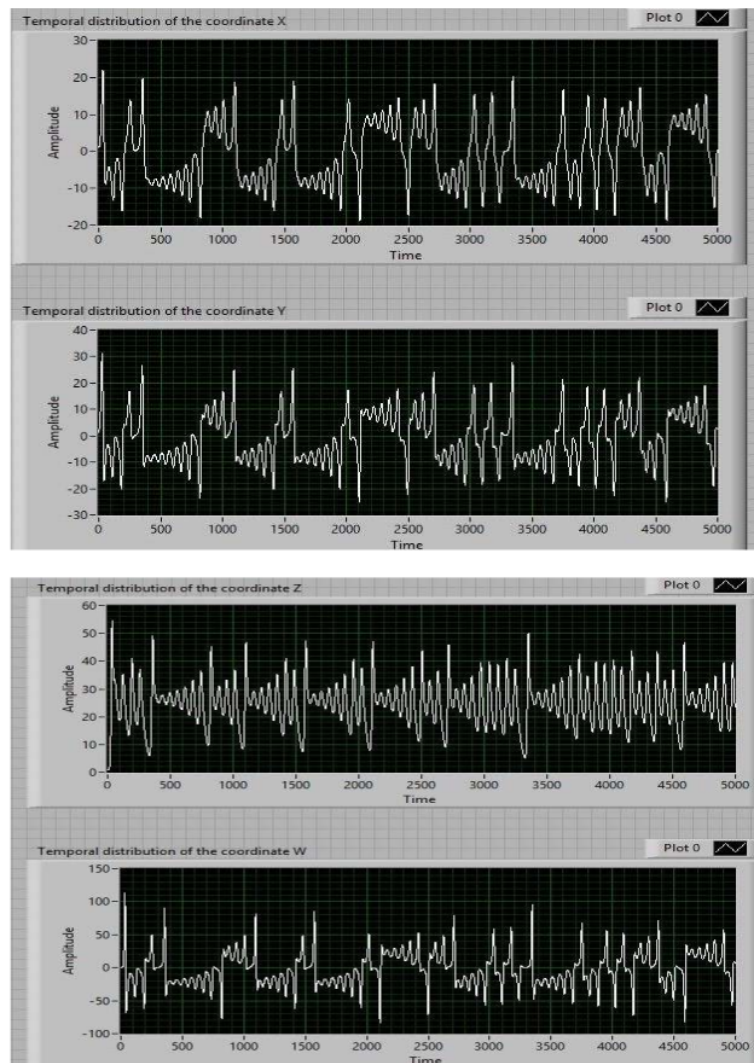


**Fig. 1.** Block scheme of hyper-chaotic Lorenz system

When changing the system parameters and initial conditions we can be analysed in detail and investigate the behaviour of a hyper-chaotic Lorenz system, which in many cases is a basic element of the functional blocks of chaotic secure communication systems.

Fig. 2 shows the software interface, which shows these information modelling properties as temporal distributions of the values of the coordinates X, Y, Z, W, when:

- the number of iterations  $N = 5000$  ;
- the system parameters  $a = 10$  ,  $b = 28$  ,  $c = 8/3$  ,  $k = 0,1$  ;
- initial conditions  $x = y = z = 1$  .



**Fig. 2.** Temporal distributions of the values of the coordinates X, Y, Z, W

Figure 3 shows the software interface, which shows these information modelling properties as phase portraits in the planes XY, XZ, XW, YZ, YW, and ZW, when:

- the number of iterations  $N = 5000$  ;
- the system parameters  $a = 10$  ,  $b = 28$  ,  $c = 8/3$  ,  $k = 0,1$  ;
- initial conditions  $x = y = z = 1$  .

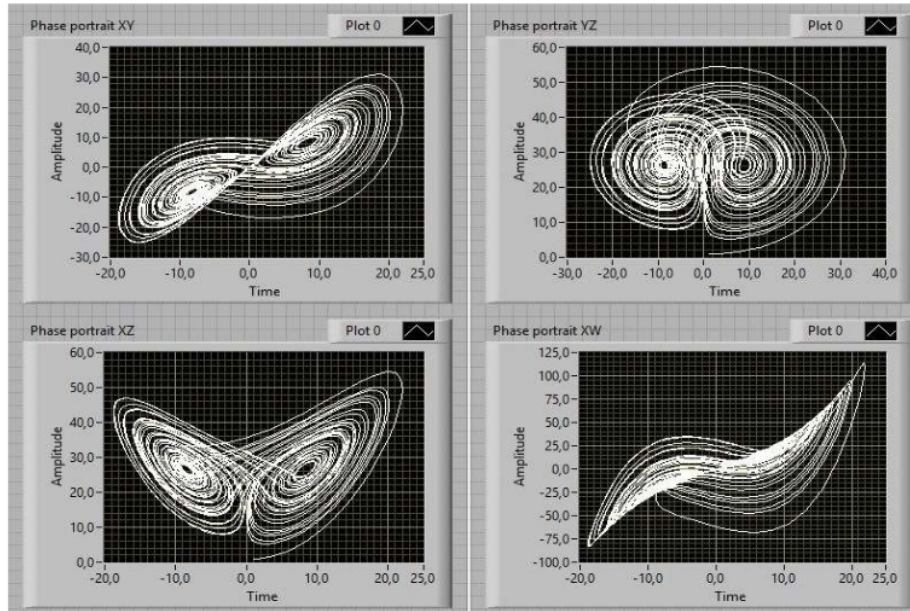


Fig. 3. Phase portraits in the planes XY, YZ, XZ and XW

The Jacobian matrix of (1) is

$$J = \begin{pmatrix} -10 & 10 & 0 & 0 \\ 28 - z & 1 & -x & -1 \\ y & x & -8/3 & 0 \\ 0 & kz & ky & 0 \end{pmatrix} \quad (2)$$

The chaotic system (1) is a four-dimensional dynamical system, which has four Lyapunov exponents. This may lead to a hyper-chaotic system.

The Lyapunov exponents for hyper-chaotic Lorenz system:

$$\lambda_1 = -2.667, \lambda_2 = 13.11, \lambda_3 = -22.11, \lambda_4 = 0$$

Figure 4 shows Lyapunov exponents graphically.

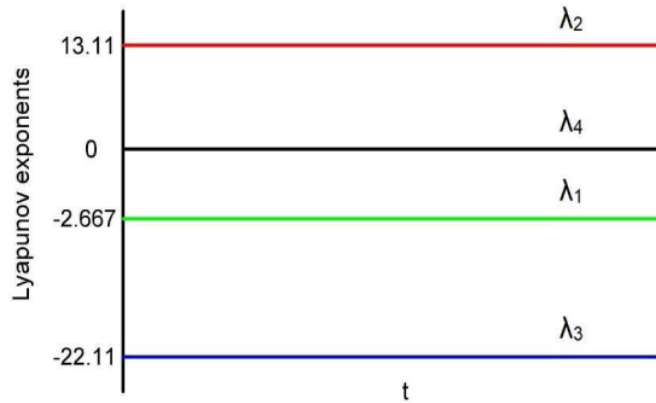


Fig. 4. Graphical presentation of Lyapunov exponents for hyper-chaotic Lorenz system

**3. Chaotic masking and decryption of the information carrier**

The coherent receivers usually are dynamical systems that resemble the chaos producing transmitters. They achieve synchronization with the transmitter, enabling the synchronization to extract the information signal from the received chaotic signal. In order to achieve synchronization, the parameters of the transmitter have to be known. They can be considered as the encryption key of the message; thus, coherent receptions allows for some privacy of the information transmission.

Fig. 5 demonstrates the presence of the chaotic signal between the transmitter and receiver. In this case, the use of chaos in secure communication systems has been proposed. The design of these systems depends on the self-synchronization property of the hyper-chaotic attractor. As shown in Fig. 5, the transmitter and the receiver systems are identical

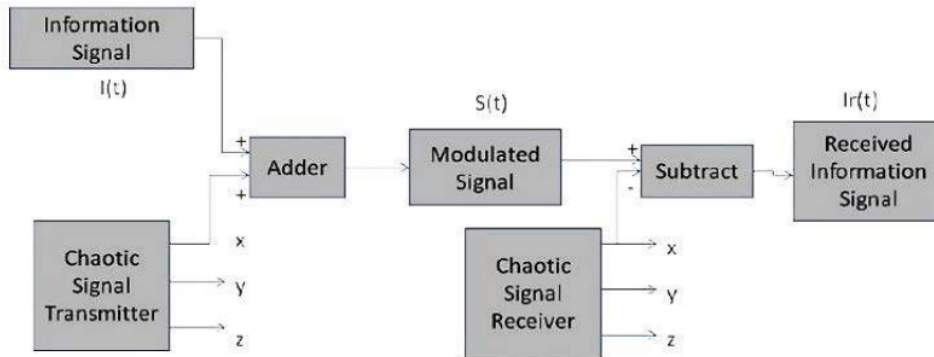


Fig. 5. Transmitter and receiver systems

Figure 6 presents the program interface, which demonstrates the masking of the carrier of information based on a hyper-chaotic Lorenz system (1).

The masking of the carrier of information based on chaos is provided by blending information with the chaotic signal. A sinusoidal signal (useful signal) was used as information (input) with amplitude of  $5\text{ V}$  and system parameters  $a = 10$ ,  $b = 28$ ,  $c = 2.67$ ,  $k = 0.1$ , dynamic variables  $x = y = z = 1$ . System parameters and dynamic variables are the keys for the masking information. Algorithm for the decryption has opposite effect.

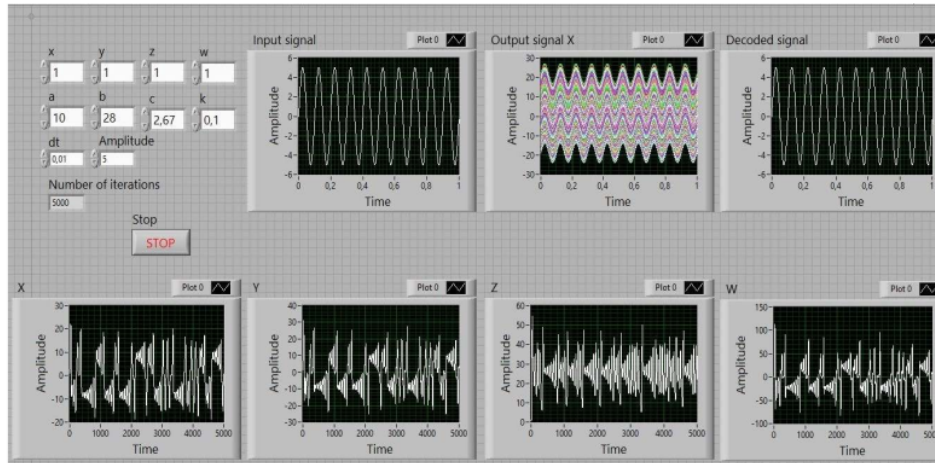


Fig. 6. Software interface show's masking and decryption of the information carrier

#### 4. Conclusions

For modelling of information properties of the hyper-chaotic Lorenz system and demonstrate computer modelling results was selected software LabView (LabView-2015 (32-bit version for Windows)). The main information properties of hyper-chaotic Lorenz system such as a time distribution of the four chaotic coordinates, phase portraits and Lyapunov exponents are presented. The programming interface demonstrates the algorithm of masking and decrypt of the information carrier.

#### References

- [1] Mobayan S, Vaidyanathan S, Sambas A, Kacar S and Çavuşoğlu Ü 2019 *Iranian Journal of Science and Technology, Transactions of Electrical Engineering* **43** 1-12
- [2] Vaidyanathan S, Azar A T, Rajagopal K, Sambas A, Kacar S and Cavusoglu U 2018 *International Journal of Simulation and Process Modelling* **13** 281-296
- [3] Rusyn V, Kushnir M, Galameiko O 2012 *In 11th Modern Problems of Radio Engineering, Telecommunications and Computer Science International Conference Lviv-Slavske*, 21-24 February 2012.
- [4] Rusyn V, Sadli M, Mamat M, Mujiarto, Sanjaya WS 2020 *Journal of Physics: Conference Series* **1477** 022010
- [5] Sambas A, Vaidyanathan S, Zhang S, Putra W T, Mamat M and Mohamed M A 2019 *Engineering Letters* **27** EL\_27\_4\_11
- [6] Sambas A, Vaidyanathan S, Zhang S, Zeng Y, Mohamed M A and Mamat M 2019 *IEEE Access* **7** 115454-115462

- [7] Sambas A, Vaidyanathan S, Tlelo-Cuautle E, Zhang S, Guillen-Fernandez O, Sukono, Hidayat Y and Gundara G 2019 *Electronics* **8** 1211
- [8] Pano-Azucena A D, de Jesus Rangel-Magdaleno J, Tlelo-Cuautle E and de Jesus Quintas-Valles A 2017 *Nonlinear Dynamics* **87** 2203-2217
- [9] Pu C F, Lin J G and Li W X 2007 *Computer Simulation* **24** 84-87
- [10] Vaidyanathan S, Sambas A, Mamat M and Sanjaya W S M *Archives of Control Sciences* **27** 541-554
- [11] Nakamura Y and Sekiguchi A 2001 *IEEE Transactions on Robotics and Automation* **17** 898-904
- [12] Fischer I, Liu Y and Davis P 2000 *Physical Review A* **62** 011801
- [13] Rusyn V, Samila A, Skiadas *In: Fourteenth International Conference on Correlation Optics, Chernivtsi*, 16-19 September 2019
- [14] Vaidyanathan S, Sambas A, Kacar S and Cavusoglu U 2019 *Nonlinear Engineering* **8** 193-205
- [15] Rusyn V, Savko O *In 8th Chaotic Modeling and Simulation International Conference, Paris*, 26-29 May 2015
- [16] Vaidyanathan S, Feki M, Sambas A, and Lien C H 2018 *International Journal of Simulation and Process Modelling* **13** 419-432
- [17] Perrone A L 2000 *AQUINAS-ROME*- **43** 381-410

ORIGINALITY REPORT

---

17%

SIMILARITY INDEX

10%

INTERNET SOURCES

15%

PUBLICATIONS

1%

STUDENT PAPERS

---

MATCH ALL SOURCES (ONLY SELECTED SOURCE PRINTED)

---

2%

★ Chengwei Dong. "Topological classification of periodic orbits in Lorenz system", Chinese Physics B, 2018

Publication

---

Exclude quotes Off

Exclude matches Off

Exclude bibliography On

# Rusyn\_2021\_J.\_Phys.\_Conf.\_Ser.\_1764\_012205.pdf

GRADEMARK REPORT

FINAL GRADE

**/0**

GENERAL COMMENTS

**Instructor**

PAGE 1

PAGE 2

PAGE 3

PAGE 4

PAGE 5

PAGE 6

PAGE 7

PAGE 8