

Rusyn_2020_J._Phys._Conf._Ser
._1477_022010.pdf
by

Submission date: 02-Nov-2021 12:56AM (UTC-0400)

Submission ID: 1690764255

File name: Rusyn_2020_J._Phys._Conf._Ser._1477_022010.pdf (516.37K)

Word count: 1534

Character count: 8598

PAPER • OPEN ACCESS

Computer Modelling of a New Simple Chaotic Generator

To cite this article: V Rusyn *et al* 2020 *J. Phys.: Conf. Ser.* **1477** 022010

View the [article online](#) for updates and enhancements.

You may also like

- [Area-efficient reconfigurable ring oscillator for device and circuit level characterization of static and dynamic variations](#)
A. K. M. Mahfuzul Islam and Hidetoshi Onodera

- [A novel circuit design for complementary resistive switch-based stateful logic operations](#)
Xiao-Ping Wang, , Lin Chen et al.

- [A novel active AC coupled input stage of instrumentation amplifier for bioelectrical applications](#)
Abdullah Al Amin, Abdullah Abu Sied and K Siddique-e Rabbani



The Electrochemical Society
Advancing solid state & electrochemical science & technology

241st ECS Meeting

May 29 – June 2, 2022 Vancouver • BC • Canada

Abstract submission deadline: Dec 3, 2021

Connect. Engage. Champion. Empower. Accelerate.
We move science forward



Submit your abstract



Computer Modelling of a New Simple Chaotic Generator

V Rusyn^{1*}, M. Sadli², M. Mamat³, Mujiarto⁴, and W. S. Mada Sanjaya⁵

¹ Department of Radio Engineering and Information Security, Yuriy Fedkovych Chernivtsi National University, Chernivtsi, Ukraine

² Department of Electrical Engineering, Universitas Malikussaleh, Aceh Utara, Indonesia

³ Faculty of Informatics and Computing, Universiti Sultan Zainal Abidin, Kuala Terengganu, Malaysia

⁴ Department of Mechanical Engineering, Universitas Muhammadiyah Tasikmalaya, Indonesia

⁵ Department of Physics, Universitas Islam Negeri Sunan Gunung Djati, Bandung, Indonesia

*rusyn_v@ukr.net

Abstract. In this paper, a new circuit of a generator that realizes chaotic behavior is presented. This oscillator-circuit contains four resistors, two capacitors, one inductor, one diode, one operational amplifier and one voltage source. The proposed circuit was modeled by utilizing NI's MultiSim software environment. The system's behavior was investigated through numerical simulations, by using well-known tools of nonlinear theory, such as phase portrait, chaotic attractor and time distributions of two chaotic system-variables. This proposed circuit of chaotic generator can be used as a main part of modern systems transmitting and receiving information for masking and decryption of an information carrier.

1. Introduction

Chaos is the most interdisciplinary thematic areas; it includes very interesting, complex, nonlinear phenomena, that have been intensively studied and regard many different areas ranging from sciences, mathematics and engineering to social systems [1-5].

In the area of engineering, chaos has been found to be very useful and has great potential in many technological disciplines, such as in information and computer sciences, power systems protection, flow dynamics, liquid mixing, biomedical systems analysis etc.

Chaotic signals can be generated by electronic circuits [6-16]; memristors [17-19], simple and more complex; analog, digital or mixed signal. These signals depend on the system's initial conditions and this dependence is very sensitive; thus, they demonstrate the feature of being unpredictable. At the same time chaotic signals are wide-band signals, i.e. they have a broad spectrum. Although they seem to be random, they are fully deterministic, highly sensitive to the system parameters, as well.

It is apparent that there is great interest in the implementation of chaotic systems by nonlinear circuits. These are beneficial to applications related to secure communication transmission or to real chaotic system modeling, to mention a few. Simulation of these circuits is an interesting approach that



easily and quickly provides with the properties of chaotic circuits. In the section that follows, a new chaotic generator is proposed, and its experimental behavior is demonstrated, by means of simulation.

2. A new simple chaotic generator

Figure 1 shows the proposed hereby, simulated scheme of a new simple chaotic generator. The proposed topology implements a non-autonomous, nonlinear circuit that includes an amplifier, incorporating both a negative and a positive feedback, antagonizing one another; thus, locally destabilizing the circuit's convergence to a stable state, giving rise to chaotic behavior.

The exact circuit of this new chaotic generator was realized around one operational amplifier, namely TL082. The elements used and their values were: one diode 1N4148, resistors $R1 = R2 = 10\text{ k}\Omega$, $R3 = 400\ \Omega$, $R4 = 20\text{ k}\Omega$, capacitors $C1 = 100\text{ nF}$, $C2 = 10\text{ nF}$ and inductor $L1 = 100\text{ mH}$. The circuit was powered by a symmetrical power source of $\pm 15\text{ V}$, while the needed external bias voltage $V1$ was 20 V .

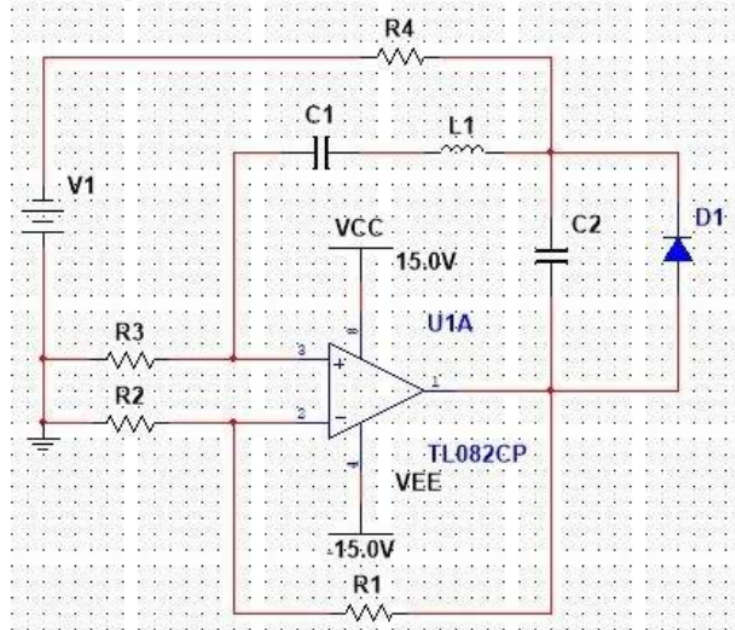


Figure 1. Circuit topology of a new simple chaotic generator

Simulations of the circuit behavior were carried out by using NI's MultiSim platform. In the figures that follow, the resulting behavior is illustrated. In Figure 2 the generated phase portrait based on the circuit's chaotic signals is presented on the platform's virtual oscilloscope. The x -axis corresponds to the non-inverting input voltage signal of the op-amp UA1, which will be called the x -signal; while the y -axis corresponds to the voltage of capacitor C1 (U_{C1}), which will be called the y -signal. It is noted that the channels' settings were for channel A, 500 mV/div and channel B, $U_2 = 1\text{ V/div}$. The chaotic nature of the produced attractor, as this comes out of its complex structure, is evident.

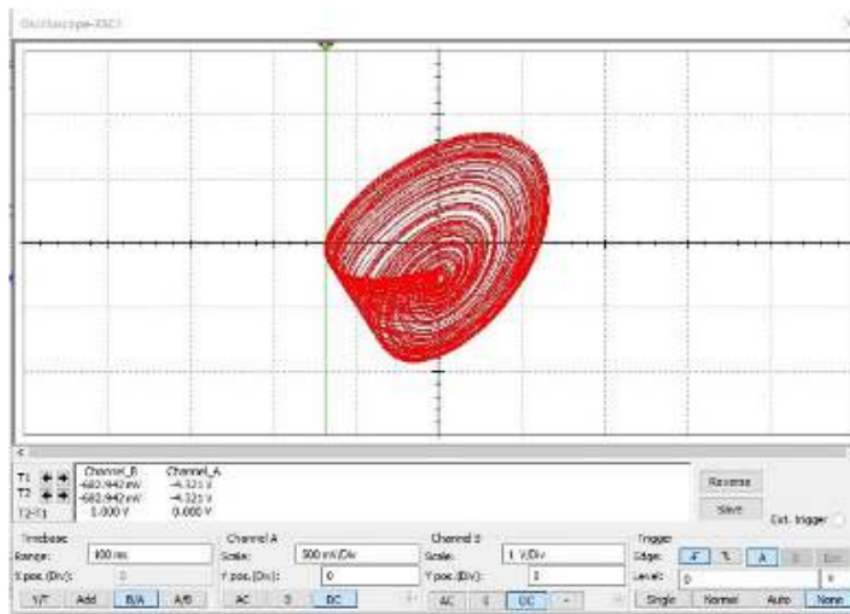


Figure 2. The simulated chaotic attractor of the new simple chaotic oscillator. Its complex structure clearly supports the circuit's chaotic behavior

In figure 3 the timeseries of both x - and y -signals appear. Their non-periodic nature is evident. Shows time dependences of the coordinates X (top) and Y (bottom) respectively (the channels' settings were for channel A, 1V/div and for channel B, 2V/div).

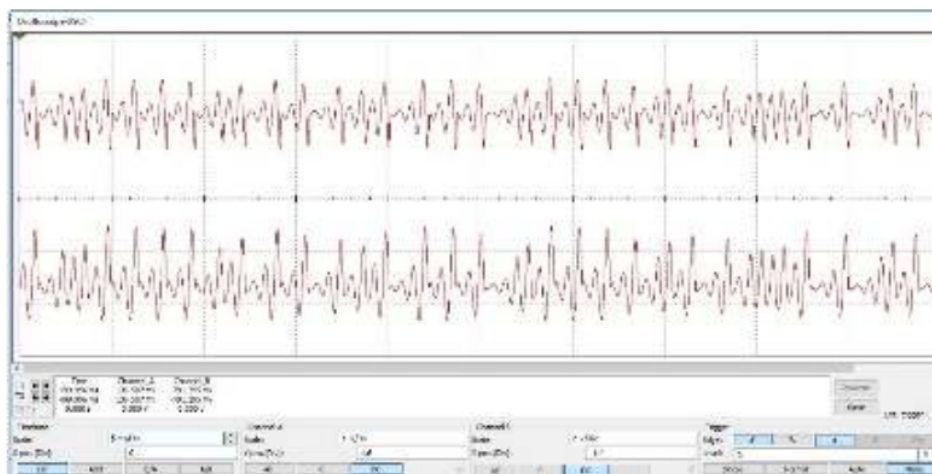


Figure 3. The x -signal (upper) and the y -signal (lower) timeseries. Their non-periodic nature is evident

Finally, in figure 4 and Figure 5 the power spectrum for each of the two registered signals appears. Apparently, the power spectra of the produced signals are broadband, typical of chaotic signals. They span to a frequency range that goes beyond 5 kHz. The peak of the frequency spectrum was measured to be at 1.7 kHz, and it corresponds to a prevailing frequency of the implementing oscillating loop.

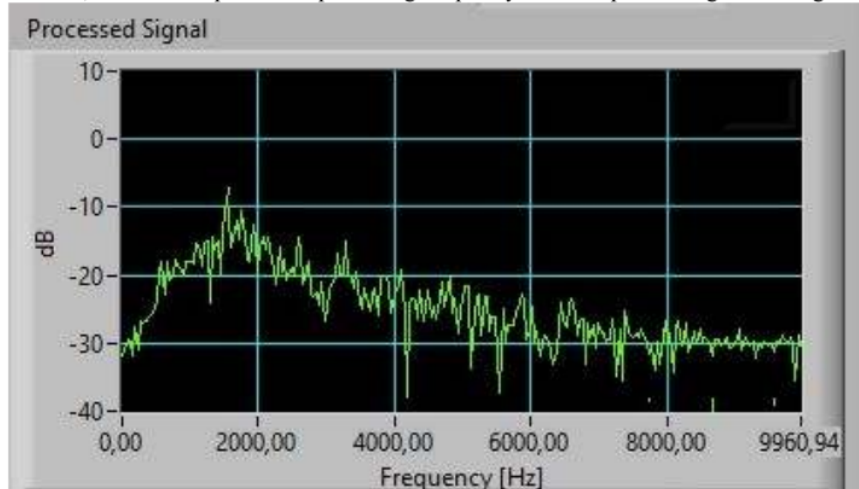


Figure 4. The spectral distribution of the x -signal, typical of chaotic signals

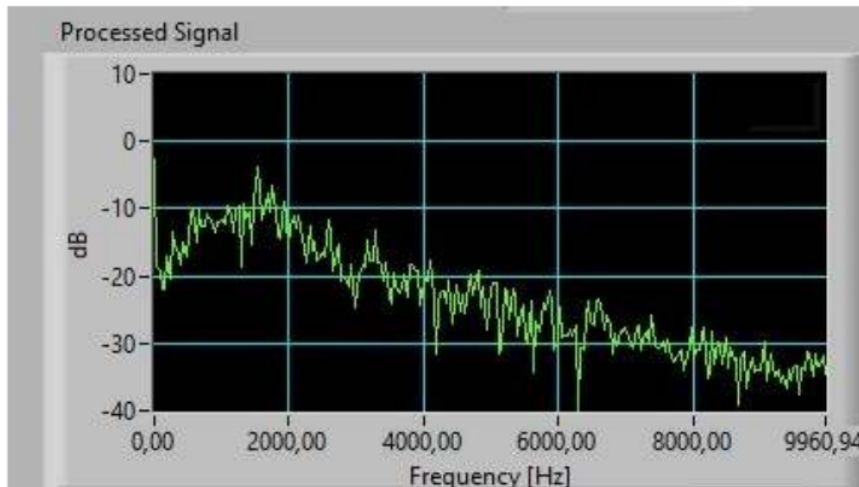


Figure 5. The spectral distribution of the y -signal, typical of chaotic signals

3. Conclusions

In the preceding lines a new, non-autonomous, chaotic circuit, is presented. Experimental verification of its chaotic behavior, by utilizing NI's MultiSim simulation platform, is apposed. This behavior is confirmed both by the demonstrated attractor and the power spectra of the generated signals. Since this circuit can generate chaotic oscillations, it can be used as part of modern telecommunication systems for masking and decrypt information. Future work would include, circuit analysis and assessment of its chaotic behavior, by utilizing established nonlinear analysis tools.

References

- [1] Lingala N, Namachchivaya N.S., Pavlyukevich I, Wedig W 2016 *Procedia IUTAM* **19**, 91-100
- [2] Lingala N, Namachchivaya N.S., Pavlyukevich Iv2017 *Nonlinearity* **30**, No4, 1376-1404
- [3] Sambas A, Vaidyanathan S, Zhang S, Zeng Y, Mohamed M A and Mamat M 2019 *IEEE Access* **7**, 115454-115462
- [4] Vaidyanathan, S., Dolvis, L. G., Jacques, K., Lien, C. H and Sambas, A. 2019 *International Journal of Modelling, Identification and Control* **32**, 30-45
- [5] Vaidyanathan, S., Sambas, A., Kacar, S and Cavusoglu, U. 2019 *Nonlinear Engineering*, **8**, 193-205
- [6] Horley P.P., Kushnir M.Ya., Morales-Meza M., Sukhov A., Rusyn V. 2016 *Physica B: Condensed Matter*, **486**, 60-63
- [7] Rusyn V.B. 2014 *Bulletin of National Technical University of Ukraine «Kyiv Polytechnic Institute»*, *Series Radiotechnique Radioapparatus Building* **59**, 21-28
- [8] Rusyn V., Kushnir M. and Galameiko O. 2012 *Proceedings of International Conference on Modern Problem of Radio Engineering, Telecommunications and Computer Science*, p. 67
- [9] Rusyn V. B., Stancu A. and Stoleriu L. 2015 *Visn. NTUU KPI, Ser. Radioteh. radioaparotobuduv.*, **63**, 94-99
- [10] Rusyn V. 2019 *Journal of Telecommunication, Electronic and Computer Engineering (JTEC)*, **11**(1), 43-47
- [11] Rusyn V. B., Pavlyukevich I, Pribylova L. and Skiadas H. C. 2019 *Visnyk NTUU KPI Serii - Radiotekhnika Radioaparotobuduvannia*, **77**, 13-16
- [12] Sambas, A., Vaidyanathan, S., Tlelo-Cuautle, E., Zhang, S., Guillen-Fernandez, O., Sukono, Hidayat, Y and Gundara, G. 2019, *Electronics*, **8**, 1211.
- [13] Sambas, A., Mamat, M., Arafa, A. A, Mahmoud, G. M., Mohamed, M. A., and Sanjaya, W. S. M. 2019 *International Journal of Electrical and Computer Engineering*, **9**, 2365-2376
- [14] Vaidyanathan, S., Sambas, A., Zhang, S., Zeng, Y., Mohamed, M. A and Mamat, M. 2019 *Telkomnika*, **17**, 2465-2474
- [15] Mobayen, S., Vaidyanathan, S., Sambas, A., Kaçar, S., and Çavuşoğlu, Ü. 2019 *Iranian Journal of Science and Technology, Transactions of Electrical Engineering*, **43**, 1-12
- [16] Chua L. 1971 *IEEE Trans. Circuit Theory*, **18**, No. 5, 507-519
- [17] Itoh M., Chua L. 2017 *International Journal of Bifurcation and Chaos*, **27**, No. 2, 1730005
- [18] Wang Z.F., Shi L., Wu H., Helian N. and Chua O.L. 2017 *Appl. Phys. Lett.*, **111**, 243502
- [19] Stavrinides S.G. 2017 *Physics Education* **52**(3), 033008

ORIGINALITY REPORT

19%

SIMILARITY INDEX

12%

INTERNET SOURCES

16%

PUBLICATIONS

1%

STUDENT PAPERS

MATCH ALL SOURCES (ONLY SELECTED SOURCE PRINTED)

2%

★ www.radioeng.cz

Internet Source

Exclude quotes Off

Exclude matches Off

Exclude bibliography On

GRADEMARK REPORT

FINAL GRADE

/0

GENERAL COMMENTS

Instructor

PAGE 1

PAGE 2

PAGE 3

PAGE 4

PAGE 5

PAGE 6
